

# ST9201

## Giunzione cavi compatta



Cable Junction Compact to the concealed installation in the window gap. for max. Cable diameter of 4,5 mm.

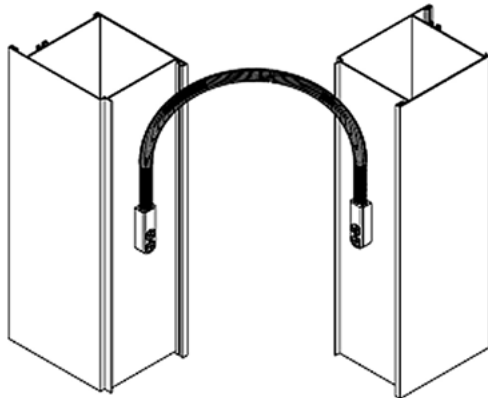
- Pivot/hopper windows retain their full functionality
- Door loop is accessible only on opening the window or door.
- Low installation expediture
- Suitable for round cable and flat cable
- Inner diameter: 5.3 mm

### Caratteristiche del prodotto:

<b>Spring</b>	DIN 1.4301, X5CrNi1810, A2
Lenght	171 mm
Inner diameter	5,3 mm
External diameter	7,0 mm
<b>Endpieces</b>	PA 6 GF 30, metalized
Dimensions (W x H x D)	30,5 x 10,0 x 7,7 mm
Angle of spread	180°
Temperature	-20°C up to +75°C
<b>Countersunk screw</b>	3,5 x 20 mm Form C-Z, A2
<b>Plug</b>	PA 6 GF 30

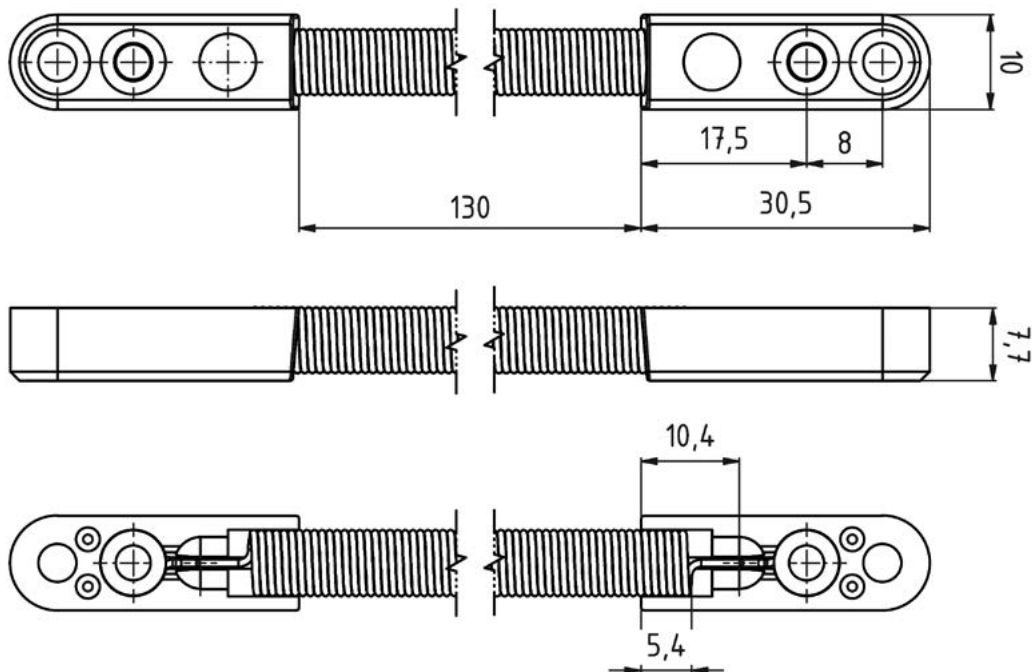
Descrizione	Codice articolo
Giunzione cavi compatta	ST9201

## ST9201 Giunzione cavi compatta



### Installation

Cable Junction Compact is installed in the door or window fold and is concealed when the door or window panes are closed.



Please leave a cable loop. This will ensure that adequate cable is available for sliding on opening the door.

In parallel installation, a lateral space requirement of min. 21 mm and a vertical space requirement of min. 8 mm are necessary (distance between frame and panes). If the space ratios are small, the end piece should be mounted e.g., on the pane side in the metal fittings groove provided for the push rod.

The inner diameter of the spring is 5.3 mm. The maximum cable thickness should not exceed 4.5 mm.

The door loop is ideal for wooden, plastic and aluminium sections.